

WASTE WATER TREATMENT



Mini Wastewater Treatment Plant WASTEMASTER® MIT



MINI WASTEWATER TREATMENT PLANT

WASTEMASTER® MIT carries out up to 3 different processes with the smallest dimensions ever:

- 1) Screening
- 2) De-gritting
- 3) De-greasing

The waste water from municipal or industrial plants, can be treated and separated.

For this system two highly innovative technologies have been introduced:

- A screw screen machine (CT) equipped with a screw in SINT™ engineering polymer;
- A floating screw system in SINT™ engineering polymer for removal of floating matter.

The WASTEMASTER® MIT plant can be optionally equipped with electronic and electric components (control panels, acoustic and visual malfunction alarm) to ensure problem-free operation during both discharge of the waste and work cycle of the machine.

In addition to municipal treatment plants, this machine is particularly suitable in places where the space is limited, such as car wash facilities or small industrial treatment plants.

Technical Features

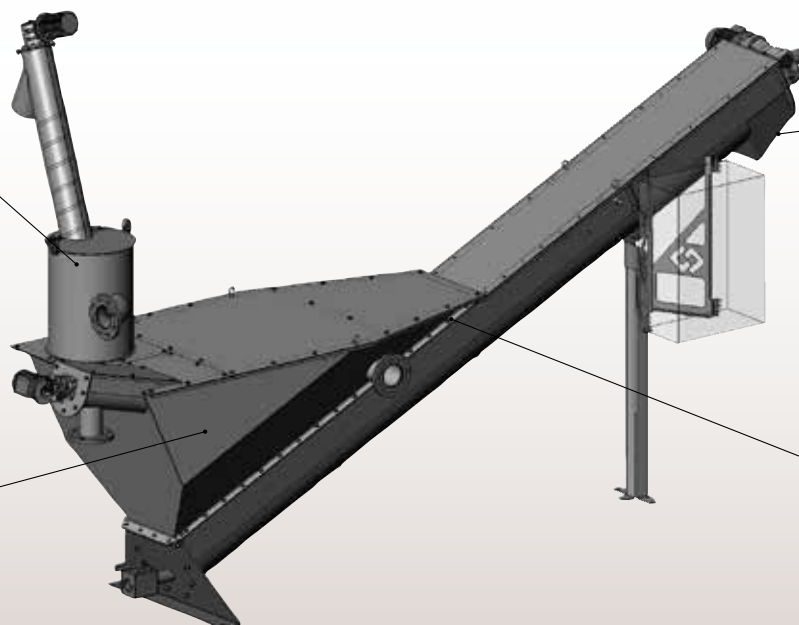
- Sturdy metal framework, manufactured entirely from 304L / 316L SS
- Polyurethane screw (in the screw screen) always in compliance with the screen, thus avoiding the occlusion of the holes
- Shaftless screw made up from sections of heavy-duty spiral, either in wear resistant carbon or stainless steel (304 or 316) SS
- Polyurethane floating screw can guarantee an high removal of the floats
- Equipped with electronic and electric components (control panels, instantaneous visual display of flow rate, acoustic and visual malfunction alarm, solenoid valves, blowers) - Option
- Sewage throughput: up to 125 GPM



Mini Screw Screen
WASTEMASTER®CT



Floating Screw System



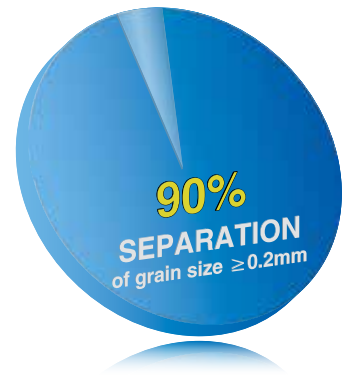
Sand Washing



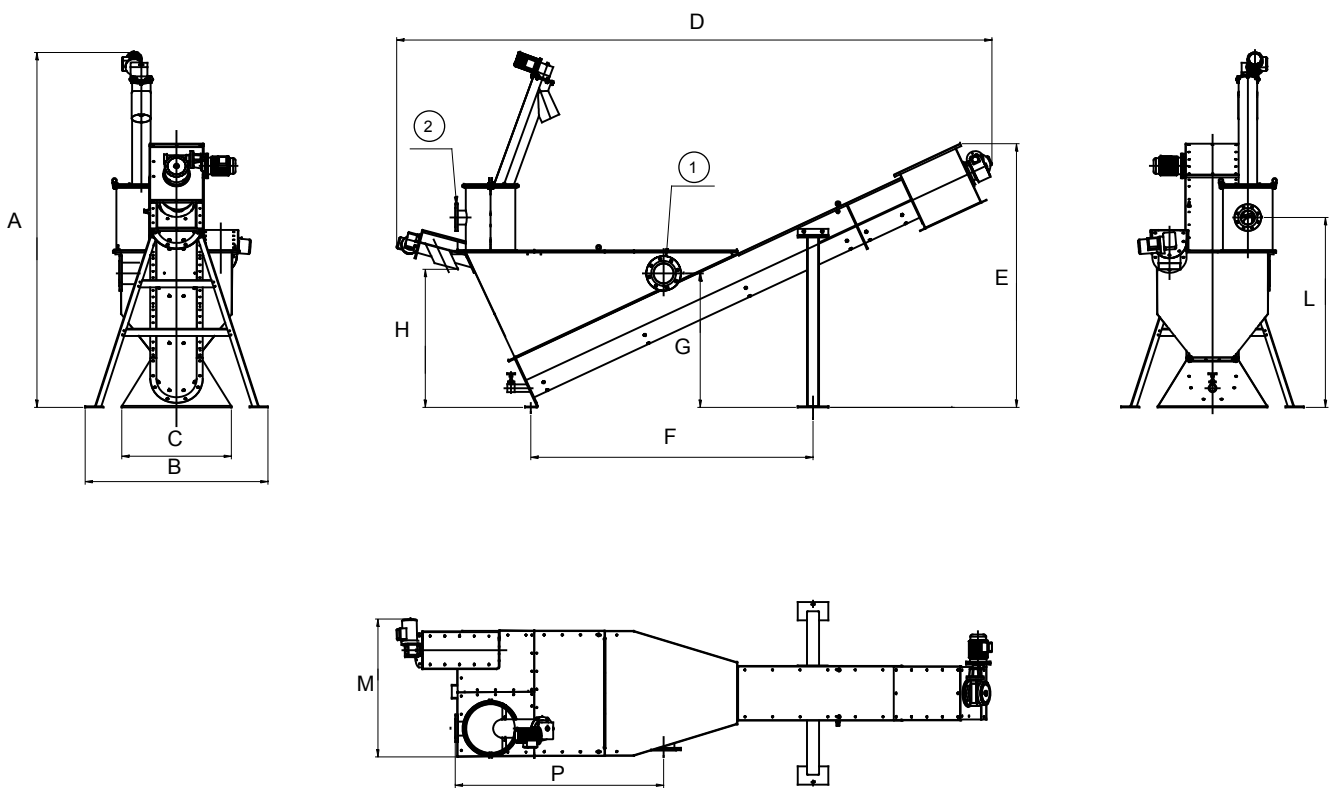
Air Injection

Benefits

- ✓ Screening, de-gritting, de-greasing, in a single unit;
- ✓ High separation performance;
- ✓ Easy installation, low maintenance and low operating costs;
- ✓ Odour free;
- ✓ No civil works required;



Overall Dimensions



MODEL	A	B	C	D	E	F	G	H	L	M	P	Flange	Flange
MIT	9' 6"	5'	3'	16'	7'-1"	7' 7"	3' 9"	5' 1"	5' 1"	3' 9"	5' 7"	4"	6"

* Transport system in tubular screw

For reference only: for detailed drawings please contact the Manufacturer

Accessories

- Solenoid Valves

Application



Enviro-Care

A WAMGROUP® Company

1570 St. Paul Avenue
Gurnee, IL 60031 U.S.A.
P: 815.636.8306

ecsales@Enviro-Care.com
www.Enviro-Care.com



00000000 February 2015 Rights reserved to modify technical specifications.



www.wamgroup.com