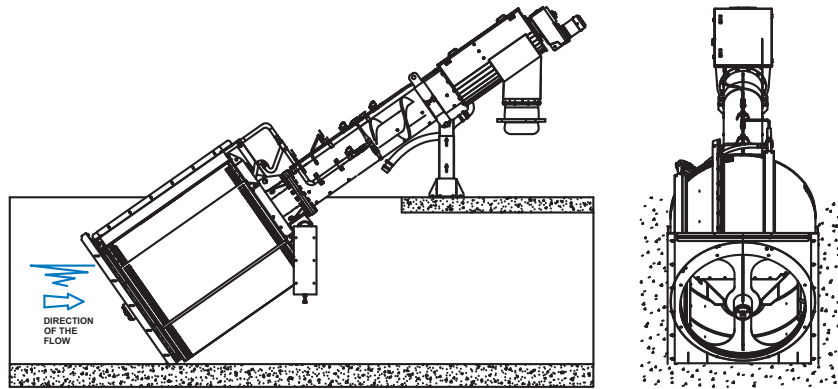


FLO-Drum MBR

FD-MBR

Pre-Treatment Screen

Specifications



Specifications

Flow rate	mgd	1 - 30
Channel widths	inches	26 - 118
Opening for MBR applications	mm perforated media	1 - 2 - 3
Angle of inclination		35°
Drum screen OD	mm	600 - 800 - 1000 - 1200 - 1400 - 1600 - 1800 - 2000 - 2200 - 2400 - 2600 - 3000
Drive motor	Hp	1 - 1.5 - 2 - 3 - 5
Controls		NEMA 4X/7
Voltage	V-Hz	240/480 V - 60 Hz

Materials of Construction

Shafted screw	ST52-3 Alloy Steel (304/316 SST Optional)
Supports, End Plates, Anti-rotation bars	AISI 304 SST (316 Optional)
Tubes and Discharge Chutes	AISI 304 SST (316 Optional)

Technical information subject to change without notice.

Enviro-Care is the exclusive licensee for SAVI S.R.L. technologies in North America.