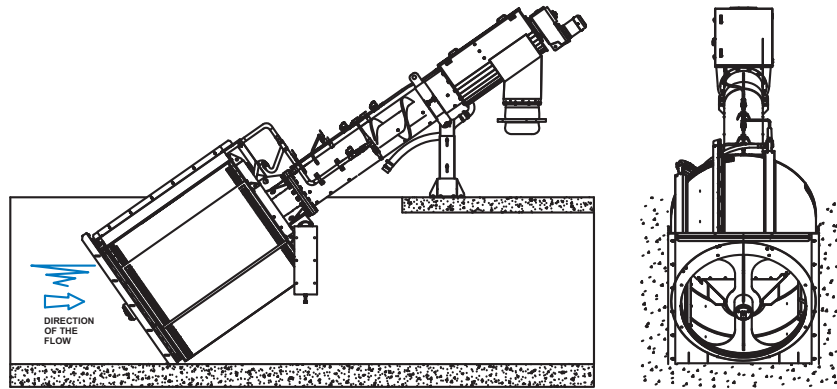


# FLO-Drum

FD

Rotating Screen for Wastewater

## Specifications



### Specifications

|                              |         |  |
|------------------------------|---------|--|
| <b>Flow Rate</b>             | mgd     | 1 - 43 (6 mm perforated media)   |
| <b>Screen media/openings</b> |         |  |
| Perforated plate             | mm      | 3 and 6  |
| Wedgewire                    | mm      | .5 - 6   |
| <b>Channel widths</b>        | inches  | 26 - 118   |
| <b>Angle of inclination</b>  | degrees | 35   |
| <b>Drum screen OD</b>        | mm      | 600 - 800 - 1000 - 1200 - 1400 - 1600 -<br>1800 - 2000 - 2200 - 2400 - 2600 - 3000 |
| <b>Drive motor</b>           | Hp      | 1 - 1.5 - 2 - 3 - 5  |
| <b>Controls</b>              |         | NEMA 4X/7  |
| <b>Voltage</b>               | V-Hz    | 240/480 V - 60 Hz  |

### Materials of Construction

|   |  |
|---|--|
| <b>Shafted screw</b>                            | ST52-3 Alloy Steel (304/316 SS Optional) |
| <b>Supports, end plates, anti-rotation bars</b> | AISI 304 SS (316 Optional)               |
| <b>Screen basket</b>                            | AISI 304 SS (316 Optional)               |
| <b> Tubes and discharge chutes</b>              | AISI 304 SS (316 Optional)               |

Technical information subject to change without notice.

Enviro-Care is the exclusive licensee for SAVI S.R.L. technologies in North America.