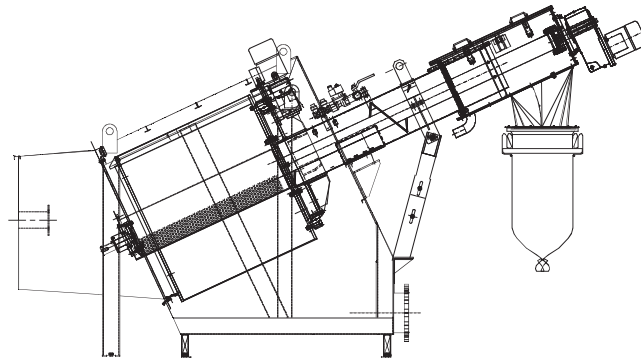
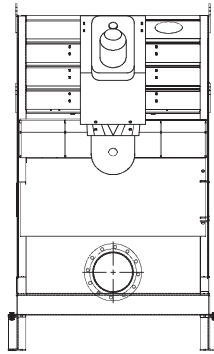


FLO-Beast SeptageStation DM

FSR-DM For Heavy Solids Screening

Specifications



Specifications

Drum Screen OD	mm	1000	1200	1400
Capacity (based on 3-4% solids content)	gpm	525	650	875
Screen media		Perforated plate		
Openings	mm	6		
Angle of inclination		25°		
Wash water pressure	bar	5 - 8		
Drive motor - Drum Screen	Kw	2	2	2
Drive motor - Shafted Screw	Kw	2	2	2
Controls		NEMA 4X/7		
Voltage	V-Hz	240/480 V - 60 Hz		

Materials of Construction

Screen media	AISI 304 SS (316 Optional)
Transport tube	AISI 304 SS (316 Optional)
Shafted screw	High Strength Alloy Steel (304/316 SS Optional)
Tank, piping, supports, end plates	AISI 304 SS (316 Optional)
Fasteners	AISI 304 SS (316 Optional)

Technical information subject to change without notice.

Enviro-Care is the exclusive licensee for SAVI S.R.L. technologies in North America.