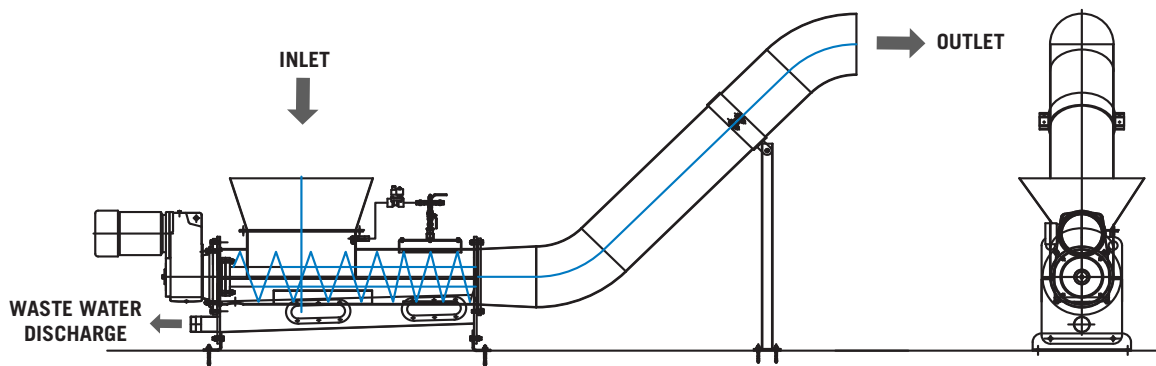


FLO-WashPress

FWP

Washer Compactor

Specifications



Specifications

| | | FWP-1 | FWP-2 | FWP-3 |
|-------------------|------|-----------|-----------|-----------|
| Nominal tube size | DN | 200 | 250 | 300 |
| Capacity | CuFt | 70 | 125 | 210 |
| Volume reduction | % | >65% | >65% | >65% |
| Drive motor | Hp | 5 | 5 | 7.5 |
| Controls | | NEMA 4x/7 | NEMA 4x/7 | NEMA 4x/7 |
| Pressure | bar | 5 | 5 | 5 |

Materials of Construction

| | |
|----------------|---|
| Covers | AISI 304 SST (316 Optional) |
| Transport tube | AISI 304 SST (316 Optional) |
| Chutes | AISI 304 SST (316 Optional) |
| Fasteners | AISI 304 SST (316 Optional) |
| Shafted screw | ST52-3 Alloy Steel (304/316 SST Optional) |

Technical information subject to change without notice.

Enviro-Care is the exclusive licensee for SAVI S.R.L. technologies in North America.