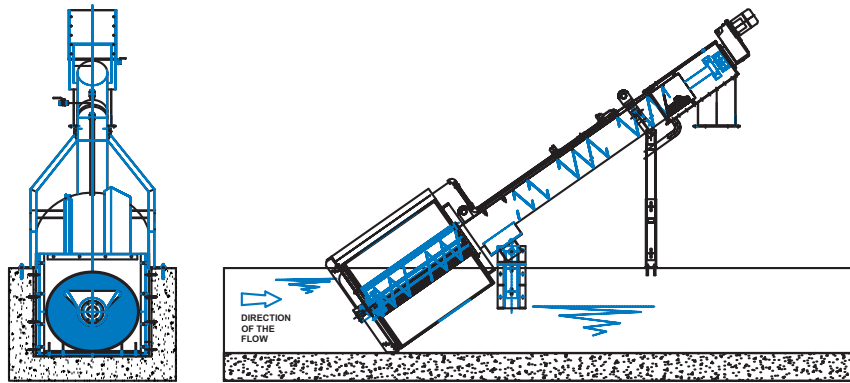


# FLO-Drum

FD

Rotating Screen for Wastewater

## Specifications



### Specifications

<b>Flow Rate</b>	mgd	1 - 43 (6 mm perforated media)
<b>Screen media/perforated plate</b>	mm	3 - 6
<b>Channel widths</b>	inches	26 - 118
<b>Angle of inclination</b>	degrees	35
<b>Drum screen OD</b>	mm	600 - 800 - 1000 - 1200 - 1400 - 1600 - 1800 - 2000 - 2200 - 2400 - 2600 - 3000
<b>Drive motor</b>	Hp	1 - 1.5 - 2 - 3 - 5
<b>Controls</b>		NEMA 4X/7
<b>Voltage</b>	V-Hz	240/480 V - 60 Hz

### Materials of Construction

<b>Shafted screw</b>	ST52-3 Alloy Steel (304/316 SS Optional)
<b>Supports, end plates, anti-rotation bars</b>	AISI 304 SS (316 Optional)
<b>Screen basket</b>	AISI 304 SS (316 Optional)
<b> Tubes and discharge chutes</b>	AISI 304 SS (316 Optional)

Technical information subject to change without notice.

Enviro-Care is the exclusive licensee for SAVI S.R.L. technologies in North America.