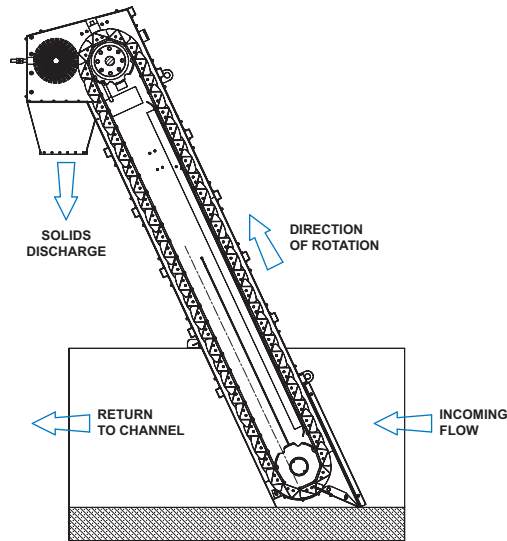


FLO-PerfBelt

FPB

Moving Media Belt Screen

Specifications



Specifications

Screen widths	mm	500 - 2000
Flow rate/screen unit	mgd	Maximum 50
Channel width	feet	2 - 6
Screen length	feet	Maximum 30
Screen openings	Perforated plate media - mm	3 and 6
Angle of inclination	degrees	65°
Drive motor – screen	hp	5
Drive motor – cleaning brush	hp	3
Water supply – Nominal pressure	bar	3 - 5 (8 maximum)
Water Usage	l/min	40

Materials of Construction

Screen, frame, discharge chute, chain	ANSI	304 SS(316 optional)
---------------------------------------	------	----------------------

Technical information subject to change without notice.

Enviro-Care is the exclusive licensee for SAVI S.R.L. technologies in North America.