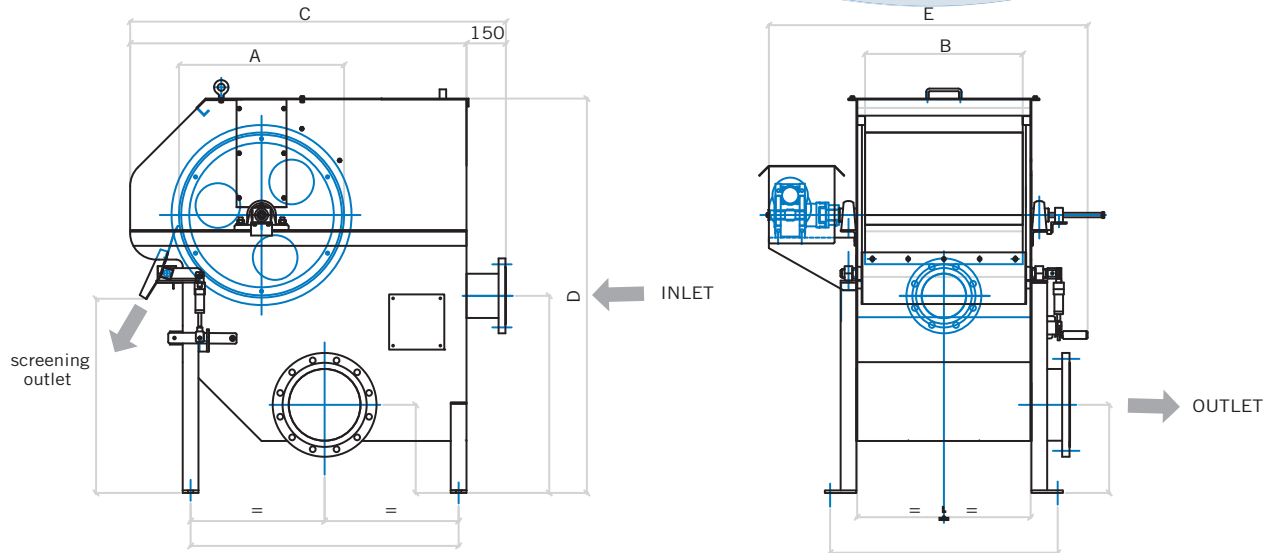


FLO-DrumSieve

FDE

Externally-fed Rotating Drum Screen

Specifications



Specifications

Wedgewire opening	mm	0.25 – 2.50
Flow rates	gpm	44 - 9200
Wash water pressure	bar	3 - 6
Nozzle opening (std)	mm	25
Power	kW	0.37
Electric motor		3P 460V 60Hz IP55

Materials of Construction

Frame	SST	AISI 304
Wedgewire cylinder	SST	AISI 304
Discharge tank	SST	AISI 304
All components/fasteners	SST	AISI 304
Cleaning blade		Brass

Technical information subject to change without notice.

Enviro-Care is the exclusive licensee for SAVI S.R.L. technologies in North America.