

# Flo-WashPress

Washer Compactor  
**VWP**

**SAVI**

## A Flexible, Low Profile Screenings Washing & Dewatering System



Screened sludge being dewatered by an SAVI® VWP-3 Washer Compactor.



A SAVI® VWP-2 Washer Compactor receiving screenings from a launder system.

The Flo-WashPress Shafted Washer Compactor incorporates screenings washing and dewatering in a single unit. The clean, dewatered screenings can then be discharged into a dumpster or an optional continuous bagger for ease of handling and disposal.

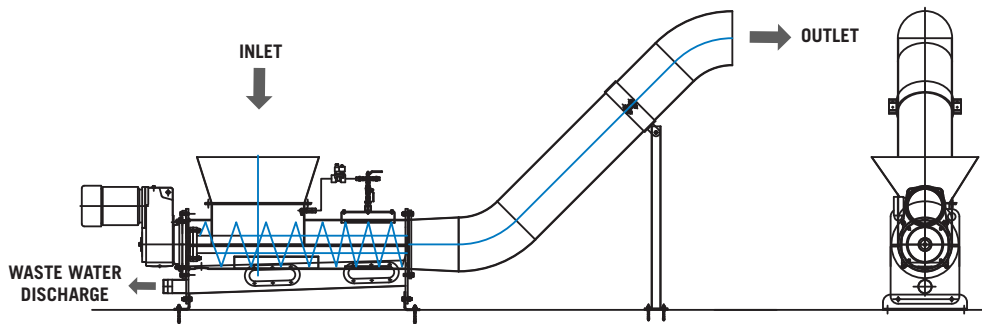
As with all products in the Enviro-Care Flo-Products family, the Flo-WashPress keeps mechanical complexity to a minimum. With its low maintenance, single auger screw design and its efficient drive system, the Flo-WashPress Shafted Washer Compactor significantly reduces maintenance requirements and downtime.

### Features & Benefits

- 1 **Screenings washing** - Removing organics from screenings prior to dewatering produces drier solids.
- 2 **35% to 40% dry solids** - More acceptable to landfill.
- 3 **Clean, dewatered screenings** - Reduced volume and less odor.
- 4 **Less odor** - More neighbor and operator friendly.
- 5 **75% volume reduction** - Reduced handling and disposal costs.
- 6 **Compact, low profile design** - Easily retrofitted into existing installations or integrated into new equipment layouts.



Two Flo-WashPress units receiving screenings from a conveyor system.



## Specifications

		VWP-1	VWP-2	VWP-3
Nominal tube size	DN	200	250	300
Capacity	CuFt	70	125	210
Volume reduction	%	>75%	>75%	>75%
Drive motor	Hp	5	5	7.5
Controls		NEMA 4x/7	NEMA 4x/7	NEMA 4x/7
Pressure	bar	5	5	5

## Materials of Construction

Covers	AISI 304 SST (316 Optional)
Transport tube	AISI 304 SST (316 Optional)
Chutes	AISI 304 SST (316 Optional)
Fasteners	AISI 304 SST (316 Optional)
Shafted screw	ST52-3 Alloy Steel (304/316 SST Optional)